

PLAN VIEW

JONES ISLAND WASTEWATER TREATMENT PLANT

NOTES CENTER OF GRAVITY  
 PACKAGE WEIGHT: 55,000 lbs.

NOTICE: THIS DOCUMENT CONTAINS PROPRIETARY INFORMATION AND IT SHALL NOT BE USED OR REPRODUCED OR ITS CONTENTS DISCLOSED, IN WHOLE OR IN PART, WITHOUT THE PRIOR WRITTEN CONSENT OF SCFM COMPRESSION SYSTEMS CO.

CERTIFIED CORRECT  
 BY: *[Signature]*  
 DATE: 9/6/01

AS BUILT		REVISION	
CAV	12/12/01	3	PER SCRUBBER CHANGE
SAH	SAH	2	ADDED FVCP'S
SAH	11/14/01	1	PER REVIEW COMMENTS
JDC	JDC		
SAH	9/6/01		
JDC	JDC		

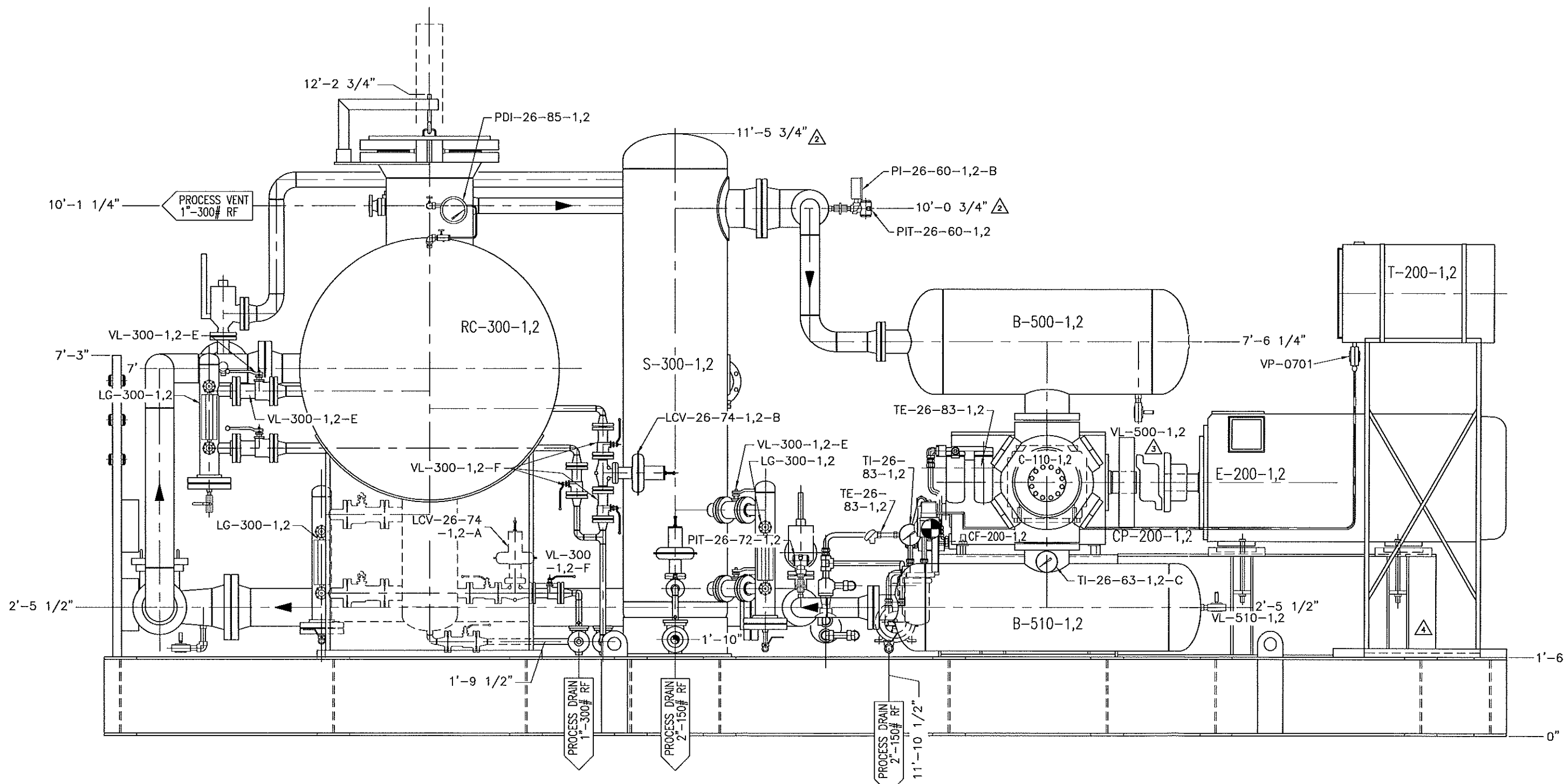
BY	DATE	DRAWN	DATE
CHK'D	APP'D	SAH	10/4/00
SAH	8/9/01	JDC	10/4/00
JDC	JDC	JDC	10/4/00
SAH	7/30/01	APP'D	10/4/00
JDC	JDC	JDC	
SAH	7/10/01	No. REQ'D	(1) one
JDC	JDC		

COMPRESSION SYSTEMS CO.  
 "Experienced. Responsive. Flexible"

TURBINE FUEL GAS BOOSTER  
 GENERAL ARRANGEMENT - PLAN VIEW - UNIT #1

MILWAUKEE METROPOLITAN SEWAGE SYSTEM

SCALE: 1" = 1'-0"  
 CUSTOMER PO#: 31002T-WW01555  
 PROJECT #: 01003  
 DRAWING #: GA-01



ELEVATION A-A

NOTES CENTER OF GRAVITY  
 PACKAGE WEIGHT: 55,000 lbs.

NOTICE: THIS DOCUMENT CONTAINS PROPRIETARY INFORMATION AND IT SHALL NOT BE USED OR REPRODUCED OR ITS CONTENTS DISCLOSED, IN WHOLE OR IN PART, WITHOUT THE PRIOR WRITTEN CONSENT OF SCFM COMPRESSION SYSTEMS CO.

CERTIFIED CORRECT  
 BY: *[Signature]*  
 DATE: 9/6/01

No.	REVISION	BY	DATE	DRAWN:
3	ADDED FLYWHEEL PER TORSIONAL	SAH	9/6/01	SAH
2	PER SCRUBBER CHANGE	JDC	JDC	JDC
1	PER REVIEW COMMENTS	SAH	7/10/01	JDC

BY	DATE	DRAWN:
SAH	9/6/01	SAH
JDC	JDC	JDC
SAH	8/9/01	JDC
JDC	JDC	JDC
SAH	7/10/01	JDC
JDC	JDC	JDC

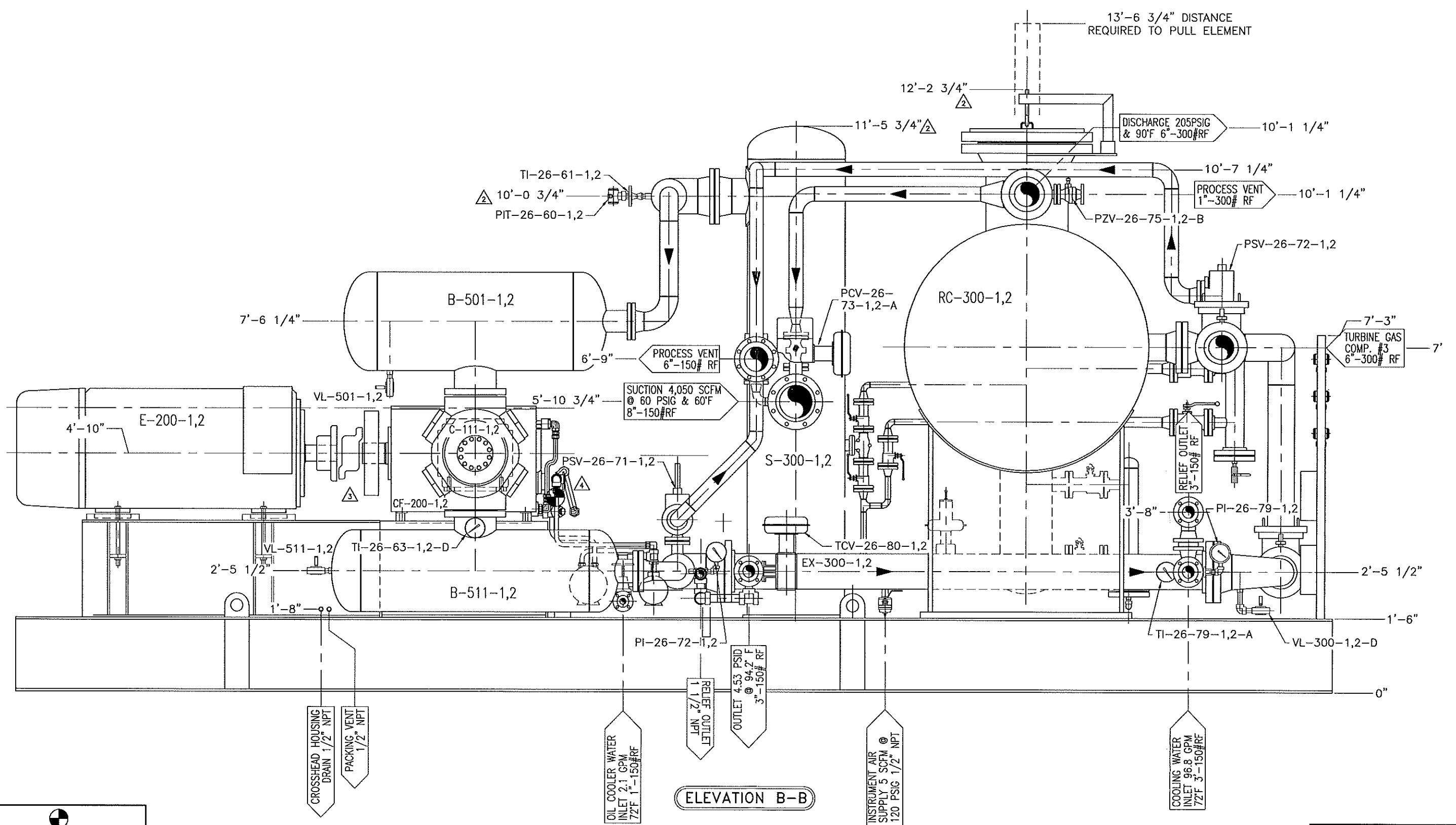
JONES ISLAND WASTEWATER TREATMENT PLANT

COMPRESSION SYSTEMS CO.  
 "Experienced, Responsive, Flexible"


TURBINE FUEL GAS BOOSTER  
 GENERAL ARRANGEMENT - ELEVATION A-A - UNIT #1

CUSTOMER: MILWAUKEE METROPOLITAN SEWAGE SYSTEM

SCALE: 1" = 1'-0"  
 CUSTOMER PO#: 31002T-WW0155S  
 PROJECT#: 01003  
 DRAWING #: GA-02




ELEVATION B-B

 DENOTES CENTER OF GRAVITY  
 PACKAGE WEIGHT: 55,000 lbs.  
 NOTICE: THIS DOCUMENT CONTAINS PROPRIETARY INFORMATION AND IT SHALL NOT BE USED OR REPRODUCED OR ITS CONTENTS DISCLOSED, IN WHOLE OR IN PART, WITHOUT THE PRIOR WRITTEN CONSENT OF SCFM COMPRESSION SYSTEMS CO.

**CERTIFIED CORRECT**  
 BY: *[Signature]*  
 DATE: 9/6/01

No.	REVISION	BY	DATE	No.	REVISION	BY	DATE	DRAWN:	DATE:
		CHK'D	APP'D			CHK'D	APP'D	SAH	10/4/00
6				3	ADDED FLYWHEEL PER TORSIONAL	SAH	9/6/01	JDC	10/4/00
5				2	PER SCRUBBER CHANGE	SAH	8/6/01	JDC	10/4/00
4	AS BUILT	CAV	12/12/01	1	PER REVIEW COMMENTS	SAH	7/10/01	JDC	10/4/00

JONES ISLAND WASTEWATER TREATMENT PLANT  
 COMPRESSION SYSTEMS CO.  
 "Experienced. Responsive. Flexible"  
 TURBINE FUEL GAS BOOSTER  
 GENERAL ARRANGEMENT - RIGHT SIDE ELEVATION - UNIT #1  
 CUSTOMER: MILWAUKEE METROPOLITAN SEWAGE SYSTEM  
 SCALE: 1" = 1'-0"  
 CUSTOMER PO#: 31002T-WW01555  
 PROJECT #: 01003  
 DRAWING #: GA-03